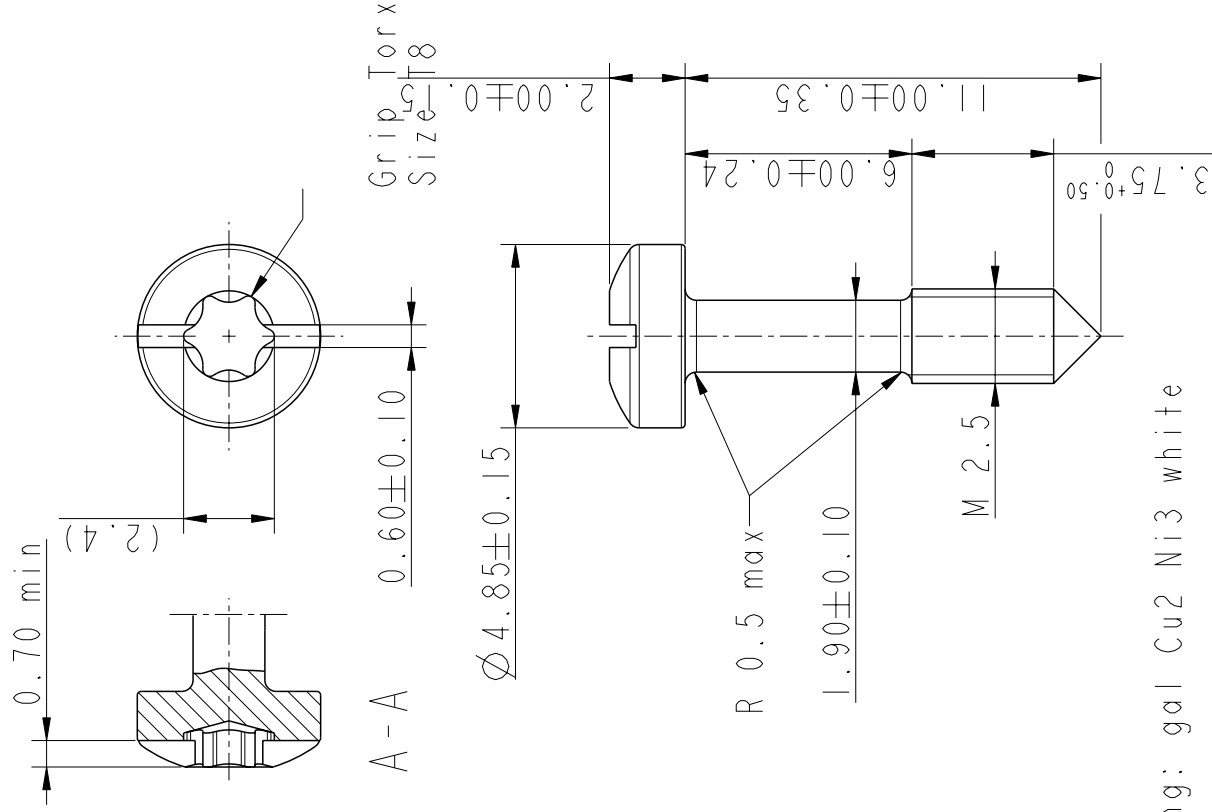


Part Number	Comments
72813-002	STD VERSION
72813-002LF	RoHS COMPATIBLE VERSION



Surface coating: gal Cu2 Ni3 white

rev	ecn no	dr	date
A	LS06-0012	JTA	2006/01/23
B	LS06-0084	LGO	2006/07/01
-	-	-	-
-	-	-	-
-	-	-	-
-	-	-	-
-	-	-	-

ROHS INFORMATION:

- This product meets European Union Directives and other country regulations as described in GS-22-008.
- The product is not intended to be exposed to a manufacturing solder process
- Packaging spec: see GS-14-920.

www.fciconnect.com		surface	tolerance std	projection	mm
		ISO 1302	ISO 406 ISO 1101		
		TOLERANCES UNLESS OTHERWISE SPECIFIED			
Dr	J TARON	ANGULAR	0.X ±0.3	size	Scale
Eng	J TARON	LINER	0.XX ±0.1	A4	5:1
Chr	P LEGARE	0° ±2°	0.XXX ±0.05	ECN	LS05-0086
Appr	P LEGARE	Product family/sofix shielded		Spec ref	-
SCREW		SEE TABLE		72813C	Rev.
catalog no		CUSTOMER		sheet 1 of 1	



REV: 2006-04-11



PDM: Rev:B

STATUS Released

Printed: Apr 17, 2008

Copyright FCI